

# Tbend-250-L

High Performance Microwave Coax Cable

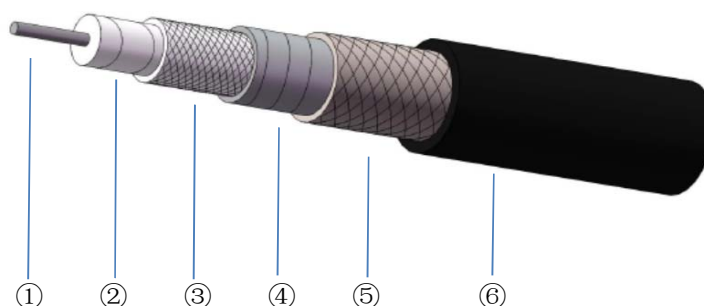
## Product Description

Superlink Tbend series is an anti-bending&stretch low loss cable. It is equipped with steel braided shield and hard to be bended or stretched. The cable loss is low and electric performance is stable regardless of environment factors. Frequency up to 40 GHz. It is used in test instruments, aerospace and defend systems.

## Feature & Benefit

- Multilayer Shielding
- 74%VP
- Excellent Bending Stability

## Product Structure

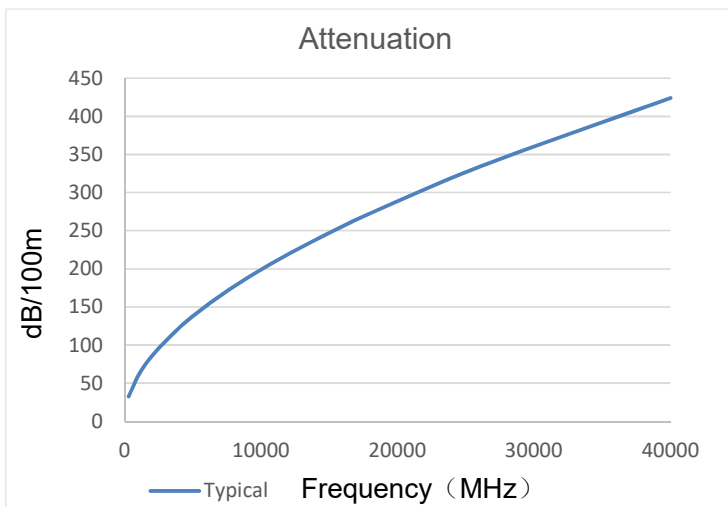


	①Center Conductor	②Dielectric	③Outer Conductor	④Inner Layer	⑤Outer shield	⑥Jacket
Material	SPC	LD PTFE	SPC	AL-foil	SPC	FEP
Size (mm)	0.51±0.02	1.55±0.07	1.71±0.09	1.81±0.10	2.04±0.12	2.50±0.15

## Specifications

Impedance	50Ω
Operation Frequency	40GHz
Velocity of Propagation	74%
Shielding Effectiveness	90dB
Voltage Withstand	500V,DC
Time Delay	4.50ns/m
Phase Stability(Bending)	±8° 40GHz
Amplitude Stability	±0.15dB 40GHz
Bend Radius:repeated	25mm
Bend Radius:installation	10mm
Weight	16g/m
Temp, Operating&Installation	-55~165°C
Temp,Storage	-65~165°C

## Attenuation (Typical@25°C VSWR=1.0)



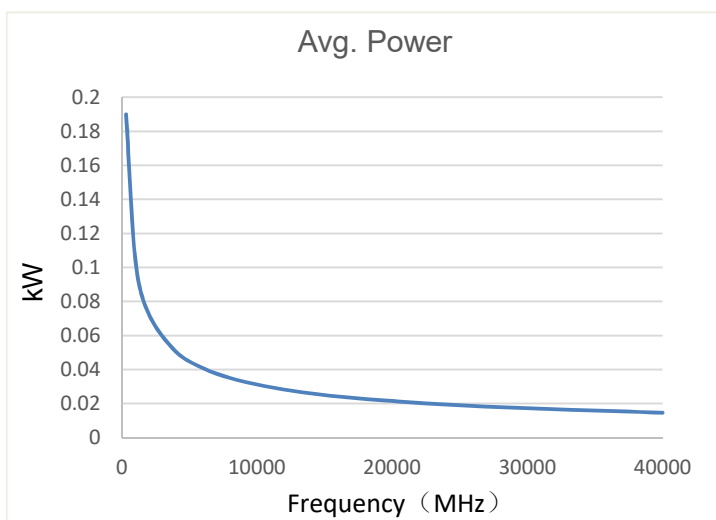
Frequency(MHz)	Attenuation (dB/100m)
300	32.6
1000	60.1
2000	85.8
4000	122.8
6000	151.9
8000	176.8
10000	199.0
12000	219.4
14000	238.3
16000	256.1
18000	272.9
26500	337.2
40000	424.0

$$K1= 1.860000$$

$$K2= 0.001300$$

$$\text{Attenuation}=K1*\sqrt{F}+K2*F$$

## Power (40°C VSWR=1.0 Sea Level)



Frequency(MHz)	Avg.Power (kW)
300	0.190
1000	0.103
2000	0.072
4000	0.050
6000	0.041
8000	0.035
10000	0.031
12000	0.028
14000	0.026
16000	0.024
18000	0.023
26500	0.018
40000	0.015

Ver A-1