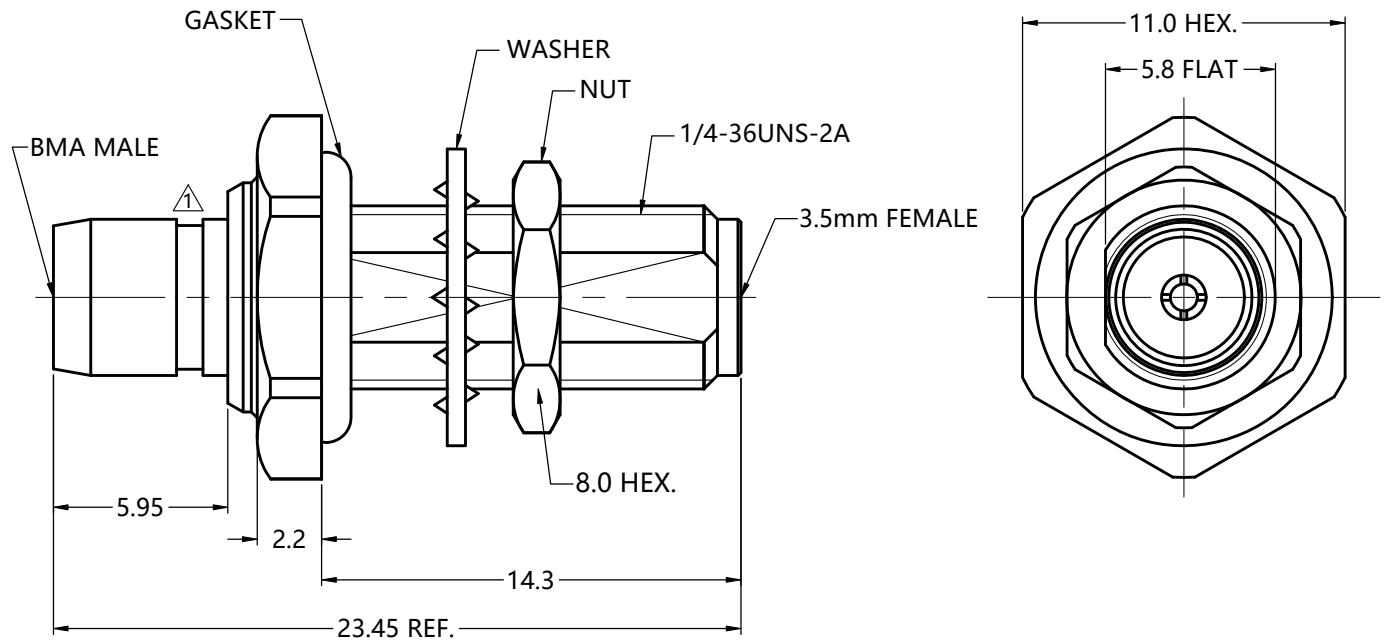


REV.	DESCRIPTION	ECN NO.	NAME	DATE
0	FIRST EDITION	N/A	SYH	2020-03-01
1	REMOVE THE BMA GASKET	N/A	SYH	2020-04-07



ALL PARTS MUST MEET TO ROHS REQUIREMENTS

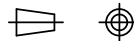


MATERIALS AND PLATING UNIT: MICRO-INCHES			ELECTRICAL CHARACTERISTICS													
PART NAME	MATERIALS	PLATING														
BODY	STAINLESS STEEL 303Cu	PASSIVATION	IMPEDANCE	50 Ω												
INSULATOR	PEI OR PEEK	N/A	VOLTAGE RATING	175 V(rms)												
CONTACT PIN	BERYLLIUM COPPER	PL.GOLD15u" /NICKEL/COPPER	FREQUENCY RANGE	DC ~ 26.5 GHz												
NUT	STAINLESS STEEL 303Cu	PASSIVATION	DIELECTRIC WITHSTANDING VOLTAGE	>500 V												
WASHER	STAINLESS STEEL 304Cu	PASSIVATION	CONTACT RESISTANCE	CENTER CONTACT <3.0 mΩ OUTER CONTACT <2.0 mΩ												
<table border="1"> <thead> <tr> <th colspan="2">MECHANICAL CHARACTERISTICS</th> </tr> </thead> <tbody> <tr> <td>FORCE TO ENGAGE AND DISENGAGE</td> <td>N/A</td> </tr> <tr> <td>CENTER CONTACT RETENTION FORCE</td> <td>&gt;6 lbs</td> </tr> <tr> <td>RECOMMENDED COUPLING TORQUE</td> <td>N/A</td> </tr> <tr> <td>COUPLING NUT RETENTION FORCE</td> <td>N/A</td> </tr> <tr> <td>DURABILITY</td> <td>&gt;500 cycles</td> </tr> </tbody> </table>			MECHANICAL CHARACTERISTICS		FORCE TO ENGAGE AND DISENGAGE	N/A	CENTER CONTACT RETENTION FORCE	>6 lbs	RECOMMENDED COUPLING TORQUE	N/A	COUPLING NUT RETENTION FORCE	N/A	DURABILITY	>500 cycles	INSULATION RESISTANCE	>5000 MΩ
			MECHANICAL CHARACTERISTICS													
			FORCE TO ENGAGE AND DISENGAGE	N/A												
			CENTER CONTACT RETENTION FORCE	>6 lbs												
			RECOMMENDED COUPLING TORQUE	N/A												
COUPLING NUT RETENTION FORCE	N/A															
DURABILITY	>500 cycles															
			INSERTION LOSS	<0.08x√F(GHz) dB												
			VSWR	<1.25 @DC ~ 18GHz <1.35 @18 ~ 26.5GHz												
			3RD INTERMODULATION	N/A												
			ENVIRONMENTAL PARAMETER													
			TEMPERATURE RANGE	-55 °C~+120 °C												

**\* CUSTOMER OUTLINE DRAWING**

UNLESS OTHERWISE SPECIFIED:  
 1) EDGES : C0.15 MAX ;  
 2) REMOVE ALL BURRS ;  
 3) SURFACE ROUGHNESS : Ra1.6 ;  
 4) UNITS : mm ;  
 5) DIMENSIONS TOLERANCES  
 DECIMALS : .x ±0.3 .xx ±0.2 .xxx±0.1;  
 ANGLES : ± 5°.

THIRD ANGLE PROJECTION



APPROVED :

CUSTOMER P/N :

CHECKED :

SCALE :

1 : 1

DRAWING :

SYH

DATE : 2020-04-07

PAGE : 1/1

TITLE : 3.5mm FEMALE TO BMA MALE BULKHEAD ADAPTOR,50Ω

DRAWING NO. :

T-5BMM36S-P3F

COMPANY WEBSITE : www.slkcorp.com

CUSTOMER OUTLINE DRAWING