

SPB-360

High Performance Microwave Coax Cable

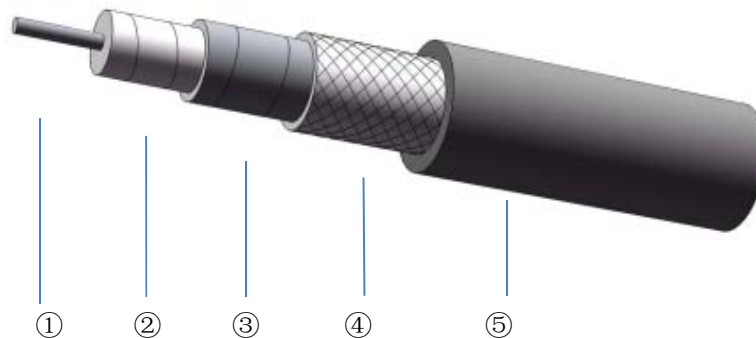
Product Description

Superlink SPB series coaxial cable is constructed with low density PTFE dielectric and silver plated copper foil and has very low loss. It keeps a high phase stability and amplitude stability while bending. Performance hardly vary in broad frequency range. It can be applied to most of harsh conditions which require strict standard like military radar, electronic warfare and airborne equipment.

Feature & Benefit

- 82%Vp PTFE+SPC Foil
- Low Loss
- Equivalent to CNX3507
- Replacce to HF130,UFB142

Product Structure



| | ①Center Conductor | ②Dielectric | ③Outer Conductor | ④Outer shield | ⑤Jacket |
|-----------|-------------------|-------------|------------------|---------------|-----------|
| Material | SPC | LD PTFE | SPC | SPC | FEP |
| Size (mm) | 0.91±0.03 | 2.50±0.05 | 2.70±0.05 | 3.16±0.05 | 3.60±0.10 |

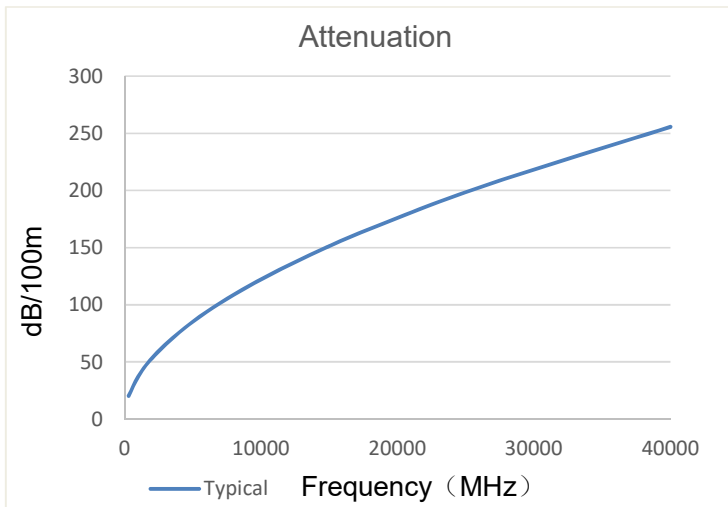
Specifications

| | |
|------------------------------|------------------|
| Impedance | 50Ω |
| Operation Frequency | 40GHz |
| Velocity of Propagation | 82% |
| Shielding Effectiveness | 90dB |
| Voltage Withstand | 900V,DC |
| Time Delay | 4.07ns/m |
| Phase Stability(Bending) | ±8° 40GHz |
| Phase Stability(Tem) | 600PPM (-55~85℃) |
| Amplitude Stability | ±0.15dB 40GHz |
| Bend Radius:repeated | 36mm |
| Bend Radius:installation | 18mm |
| Weight | 33g/m |
| Temp, Operating&Installation | -55~165℃ |
| Temp,Storage | -65~165℃ |

The rights of technical information provided on the sheet belongs to Superlink. Contents cannot be provided to other third-companies without permission.

Shenzhen Superlink Technology Co.,Ltd
 Website: www.slkcorp.com
 Tel: +86 755-89814648

Attenuation (Typical@25°C VSWR=1.0)



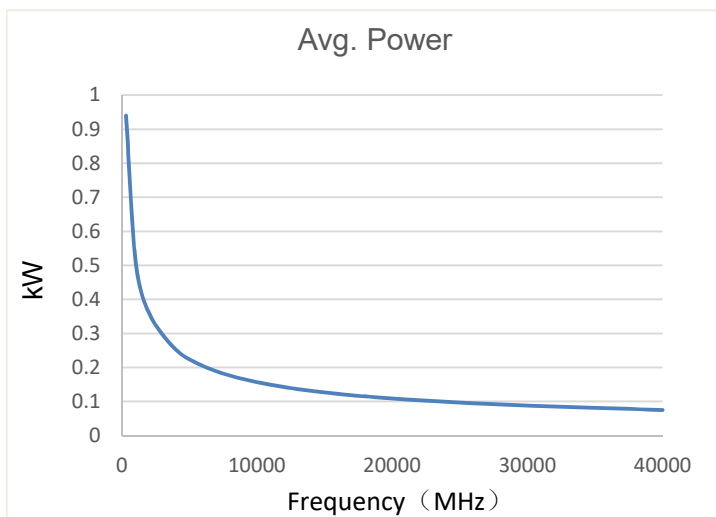
| Frequency(MHz) | Attenuation (dB/100m) |
|----------------|-----------------------|
| 300 | 20.403 |
| 1000 | 37.500 |
| 2000 | 53.356 |
| 4000 | 76.101 |
| 6000 | 93.809 |
| 8000 | 108.911 |
| 10000 | 122.347 |
| 12000 | 134.599 |
| 14000 | 145.955 |
| 15000 | 151.358 |
| 18000 | 166.667 |
| 26500 | 204.788 |
| 40000 | 255.694 |

$$K1= 1.168470$$

$$K2= 0.000550$$

$$\text{Attenuation}=K1*\sqrt{F}+K2*F$$

Power (40°C VSWR=1.0 Sea Level)



| Frequency(MHz) | Avg.Power (kW) |
|----------------|----------------|
| 300 | 0.940 |
| 1000 | 0.511 |
| 2000 | 0.359 |
| 4000 | 0.252 |
| 6000 | 0.204 |
| 8000 | 0.176 |
| 10000 | 0.157 |
| 12000 | 0.142 |
| 14000 | 0.131 |
| 15000 | 0.127 |
| 18000 | 0.115 |
| 26500 | 0.094 |
| 40000 | 0.075 |

Ver A-1