
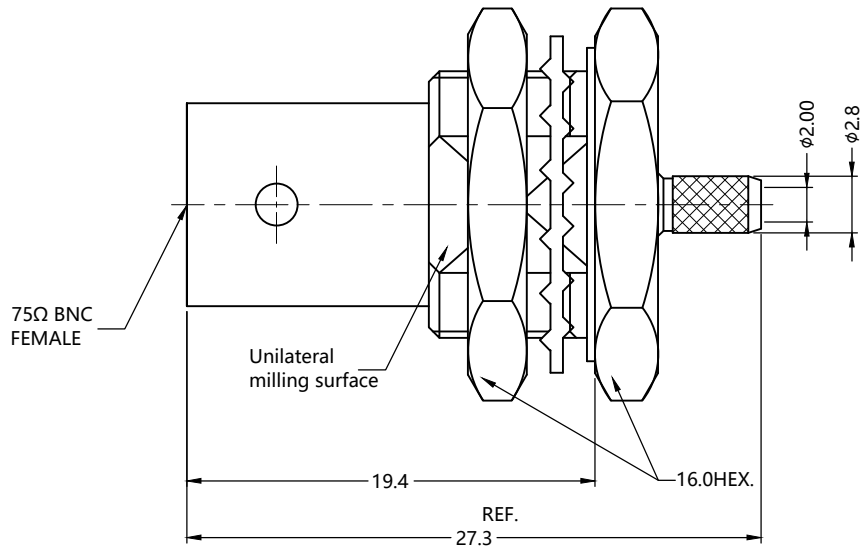


REV.	DESCRIPTION	ECN NO.	NAME	DATE	 ALL PARTS MUST MEET TO RoHS REQUIREMENTS
A	FIRST EDITION	N/A	lihemin	2015-05-15	
A1	NEW FRAME	N/A	HYH	2020-06-20	

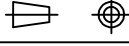
REMARKS:
 1. CONTACT PIN TO SOLDER .
 2.PANEL THICKNESS: 3.5 MAX.
 3.CRIMP FERRULE FOR .139" HEX



MATERIALS AND PLATING			UNIT: MICRO-INCHES	ELECTRICAL CHARACTERISTICS	
PART NAME	MATERIALS	PLATING	IMPEDANCE		75 Ω
BODY	BRASS C3604	NICKEL 100u" /COPPER	VOLTAGE RATING		500 V(rms)
CONTACT PIN	PHOSPHOR BRONZE	GOLD 10u" MIN/COPPER	FREQUENCY RANGE		0 ~ 4 GHz
INSULATOR	PTFE MIL-P-19468	N/A	DIELECTRIC WITHSTANDING VOLTAGE		>500 V
			CONTACT RESISTANCE		CENTER CONTACT <3 mΩ
					OUTER CONTACT <2 mΩ
			INSULATION RESISTANCE		>5000 MΩ
			INSERTION LOSS		According as the cable
			VSWR		According as the cable
			3RD INTERMODULATION		N/A
MECHANICAL CHARACTERISTICS			ENVIRONMENTAL PARAMETER		
FORCE TO ENGAGE AND DISENGAGE		<6 lbs	TEMPERATURE RANGE		-55 °C~+125 °C
CENTER CONTACT RETENTION FORCE		> 6 lbs			
COUPLING TORQUE		N/A			
COUPLING NUT RETENTION FORCE		N/A			
DURABILITY		>500 cycles			

*** CUSTOMER OUTLINE DRAWING**

UNLESS OTHERWISE SPECIFIED:
 1) EDGES : C0.15 MAX ;
 2) REMOVE ALL BURRS ;
 3) SURFACE ROUGHNESS : Ra1.6 ;
 4) UNITS : mm ;
 5) DIMENSIONS TOLERANCES
 DECIMALS : .x ±0.3 .xx ±0.2 .xxx±0.1;
 ANGLES : ± 5°.

THIRD ANGLE PROJECTION		
APPROVED :	CUSTOMER P/N :	
CHECKED :	SCALE :	1 : 1
DRAWING :	DATE :	2020-06-20
HYH	PAGE :	1/1



TITLE : BNC FEMALE S/T CRIMP FOR
 Multi-cores 16Cx26AWG CABLE,75 Ω
 DRAWING NO. :
 7BNF35S-A209-002
 COMPANY WEBSITE : www.slkcorp.com