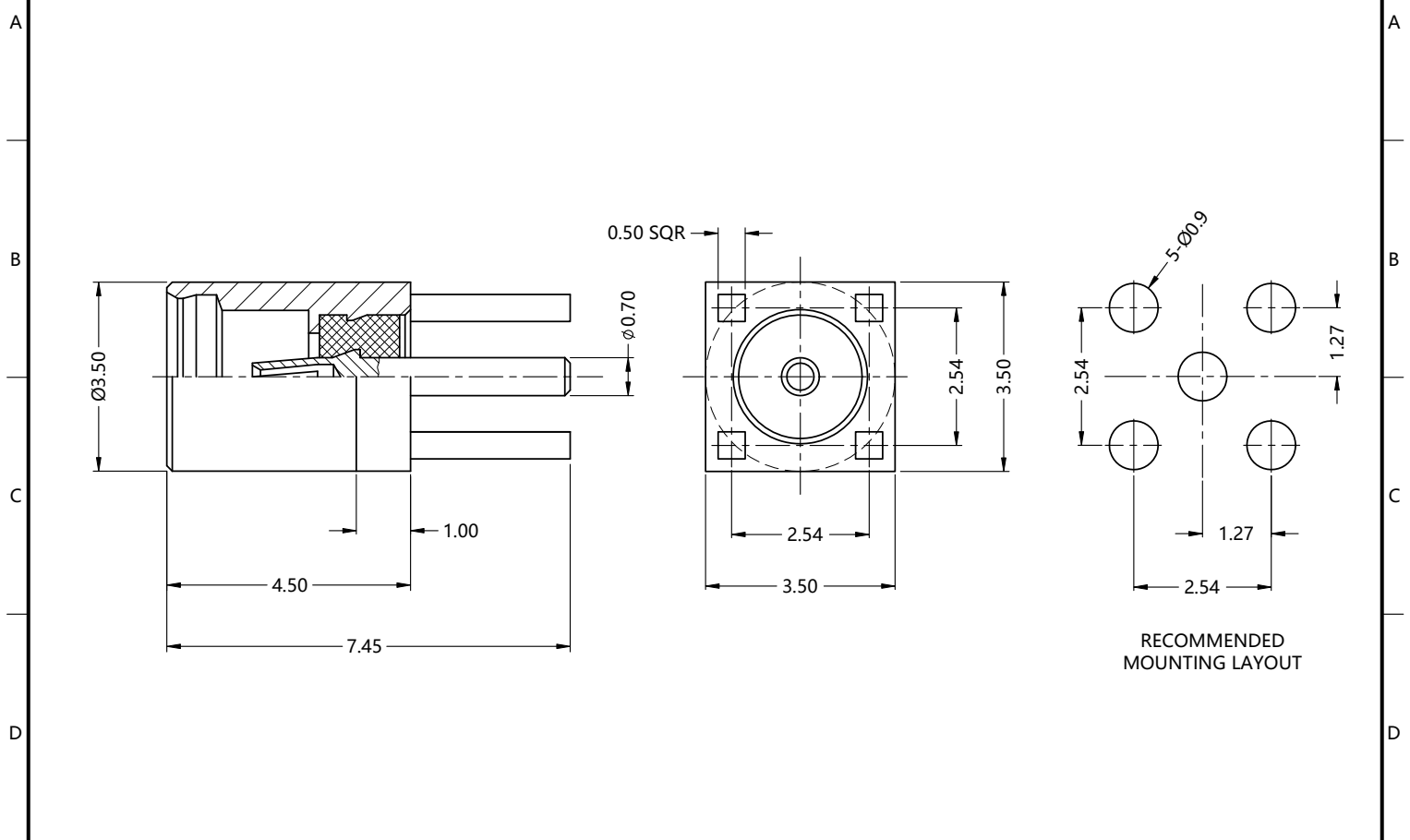


REV	DESCRIPTION	ECN NO	NAME	DATE
0	FIRST EDITION	N/A	PY	2021-05-17
1	UPDATE THE DRAWING	N/A	Liu	2021-06-08



ALL PARTS MUST MEET TO RoHS REQUIREMENTS



RECOMMENDED MOUNTING LAYOUT

MATERIALS AND PLATING		UNIT: MICRO-INCHES	ELECTRICAL CHARACTERISTICS		
BODY	BRASS C3604	GOLD 1u"/NICKEL 100u"/COPPER	IMPEDANCE	50 Ω	
CONTACT PIN	BERYLLIUM COPPER	GOLD 3u"/NICKEL 100u"/COPPER	VOLTAGE RATING	175 V(rms)	
INSULATOR	PTFE ASTM-D-1710	N/A	FREQUENCY RANGE	DC~6 GHz	
			DIELECTRIC WITHSTANDING VOLTAGE		>500 V
			CONTACT RESISTANCE	CENTER CONTACT	<5.0 mΩ
				OUTER CONTACT	<2.5 mΩ
			INSULATION RESISTANCE		>1000 MΩ
			INSERTION LOSS		<0.2 dB
			VSWR		<1.2
			3RD INTERMODULATION		<-50 dB
MECHANICAL CHARACTERISTICS			ENVIRONMENTAL CHARACTERISTICS		
FORCE TO ENGAGE AND DISENGAGE		N/A	TEMPERATURE RANGE		-55 °C~+155 °C
CENTER CONTACT RETENTION FORCE		>1.5 lbs	THERMAL SHOCK		MIL- STD 202, Meth. 101,Cond. B
RECOMMENDED COUPLING TORQUE		N/A	VIBRATION		MIL- STD 202, Meth. 204,Cond. D
COUPLING NUT RETENTION FORCE		N/A	SHOCK		MIL- STD 202, Meth. 213,Cond. I
DURABILITY		>500 cycles	RELATIVE HUMIDITY		US MIL- STD 202,Method106

CUSTOMER OUTLINE DRAWING

UNLESS OTHERWISE SPECIFIED:
 1) C0.15 MAX;
 2) REMOVE ALL BURRS;
 3) SURFACE ROUGHNESS : Ra1.6;
 4) UNITS:mm;
 5) DIMENSIONS TOLERANCES
 DECIMALS .x ±0.3 .xx ±0.2 .xxx±0.1
 ANGLES ±5°

THIRD ANGLE PROJECTION		
APPROVED:	CUSTOMER P/N: 1-1634009-0	
CHECKED:	SCALE: 8:1	
DRAWING:	DATE: 2021-06-08	
COMPANY WEBSITE: www.slkcorp.com		

TITLE: MMCX FEMALE FOR PCB MOUNTING,50Ω
 DRAWING NO: 5MCF25S-P41-015

CUSTOMER OUTLINE DRAWING