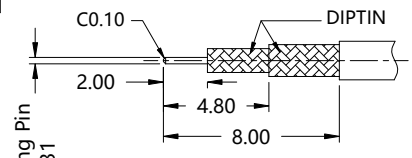


REV.	DESCRIPTION	ECN NO.	NAME	DATE
0	FIRST EDITION	N/A	YJY	2021-03-17



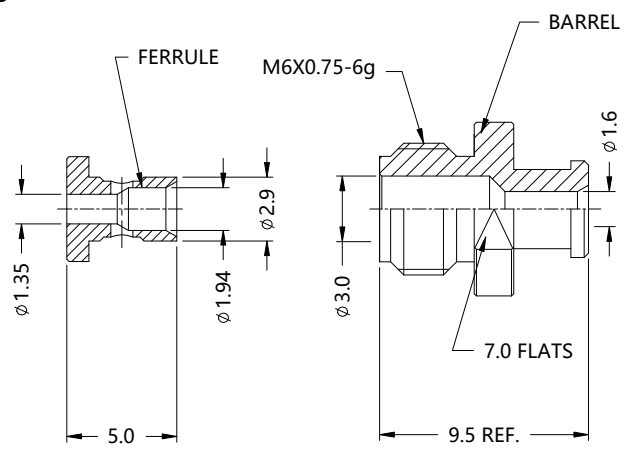
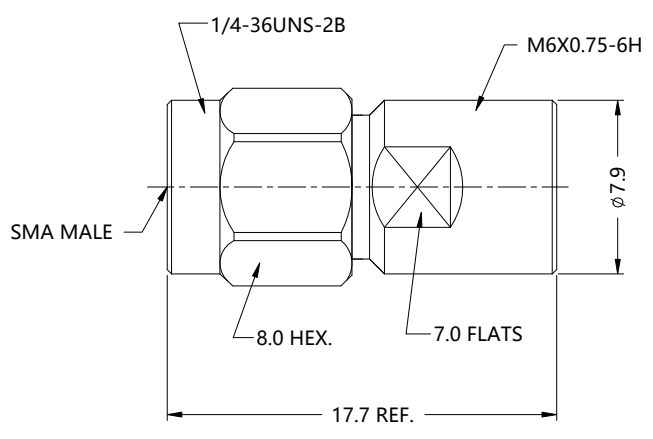
ALL PARTS MUST MEET TO RoHS REQUIREMENTS

NOTES:  
 1.CONTACT PIN TO CAPTIVE  
 2.FERRULE TO SOLDER  
 3.ADDS SIZE : 10.7mm



1)RECOMMENDED CABLE STRIPPING DIM'S

Connector Matching Pin  
 OD: 0.28~0.31



MATERIALS AND PLATING		UNIT: MICRO-INCHES
PART NAME	MATERIALS	PLATING
BODY/SHELL	STAINLESS STEEL	PASSIVATION
INSULATOR	PTFE ASTM-D-1710	N/A
CONTACT PIN	BRASS+Be-Cu	GOLD 30 u"/COPPER
FERRULE	BRASS C3604	GOLD 10 u" / NICKEL/COPPER
BARREL	STAINLESS STEEL	PASSIVATION

ELECTRICAL CHARACTERISTICS	
IMPEDANCE	50 Ω
VOLTAGE RATING	250 V(rms)
FREQUENCY RANGE	DC ~ 27 GHz
DIELECTRIC WITHSTANDING VOLTAGE	> 500 V
CONTACT RESISTANCE	CENTER CONTACT
	OUTER CONTACT
INSULATION RESISTANCE	> 5000 MΩ
INSERTION LOSS	< 0.1X <sub>v</sub> /f GHz dB
VSWR	< 1.15@DC~18GHz < 1.20@DC~27GHz
3RD INTERMODULATION	N/A

MECHANICAL CHARACTERISTICS	
FORCE TO ENGAGE AND DISENGAGE	N/A
CENTER CONTACT RETENTION FORCE	>6 lbs
RECOMMENDED COUPLING TORQUE	7-10 in-lbs
COUPLING NUT RETENTION FORCE	>60 lbs
DURABILITY	>500 cycles

ENVIRONMENTAL PARAMETER	
TEMPERATURE RANGE	-40 °C~+125 °C

\* CUSTOMER OUTLINE DRAWING

UNLESS OTHERWISE SPECIFIED:  
 1) EDGES :C0.15 MAX ;  
 2) REMOVE ALL BURRS ;  
 3) SURFACE ROUGHNESS Ra1.6 ;  
 4) UNITS : mm ;  
 5) DIMENSIONS TOLERANCES  
 DECIMALS : .x ±0.3 .xx ±0.2 .xxx±0.1;  
 ANGLES : ± 5°.

THIRD ANGLE PROJECTION	
APPROVED :	CUSTOMER P/N : 2081899-1
CHECKED :	SCALE : 3: 1
DRAWING :	DATE : 2021-03-17
	PAGE : 1/1



TITLE : SMA MALE S/T CLAMP  
 FOR SPB-150-V&TFLEX-047 CABLE,50Ω  
 DRAWING NO. :  
 5MAM15S-A420-003  
 COMPANY WEBSITE : www.slkcorp.com

CUSTOMER OUTLINE DRAWING