
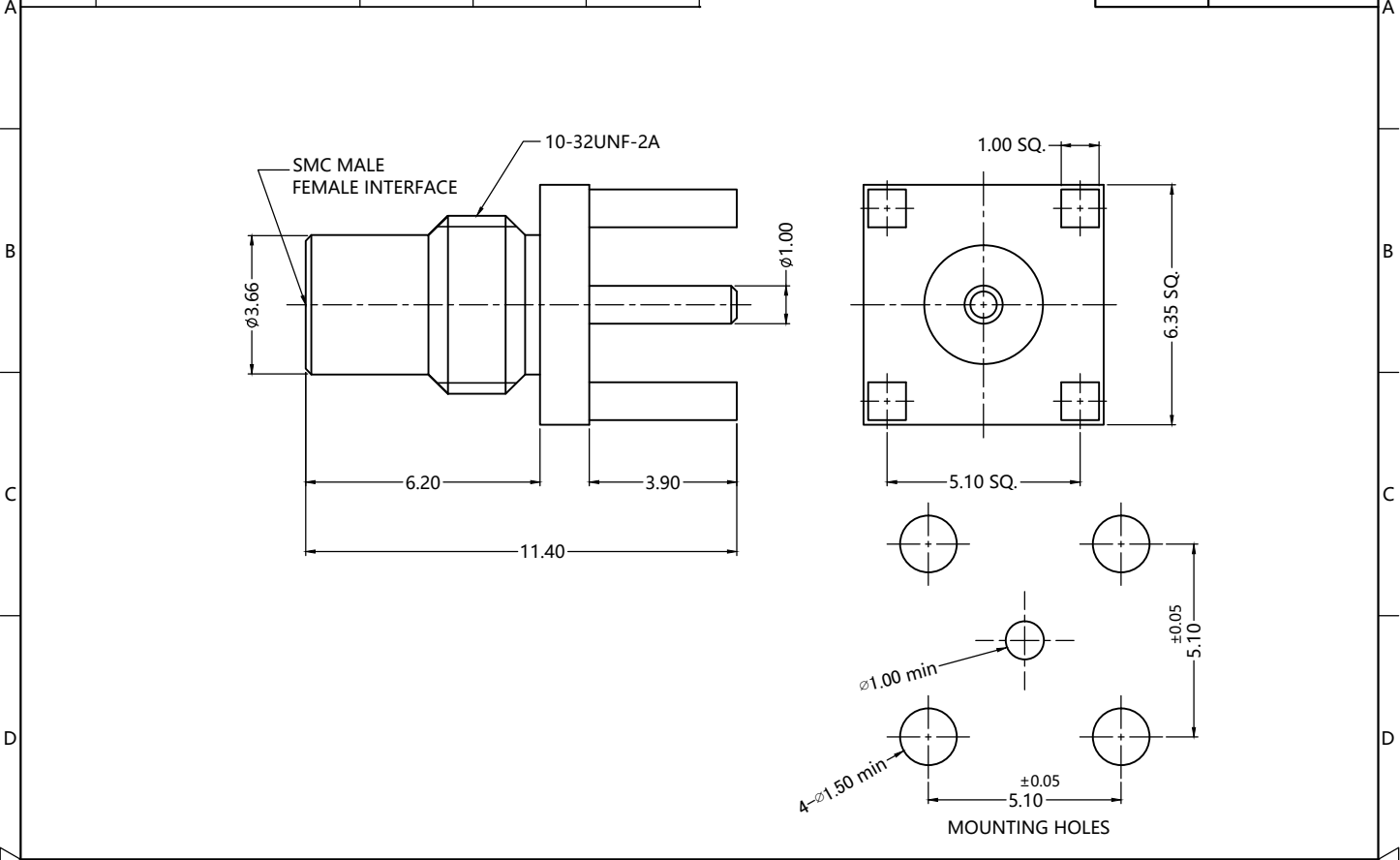


1	2	3	4	5	6
REV.	DESCRIPTION	ECN NO.	NAME	DATE	
A0	FIRST EDITION	N/A	YWD	2017-05-17	 ALL PARTS MUST MEET TO RoHS REQUIREMENTS
A1	NEW FRAME	N/A	HYH	2020-06-29	

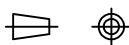



MATERIALS AND PLATING		UNIT: MICRO-INCHES
PART NAME	MATERIALS	PLATING
BODY	BRASS C3604	GOLD PL.3u"/NICKEL/COPPER
CONTACT PIN	BRASS C3604	GOLD PL.10u"/COPPER
INSULATOR	PTFE ASTM-D-1710	N/A

ELECTRICAL CHARACTERISTICS	
IMPEDANCE	50 Ω
VOLTAGE RATING	250 V(rms)
FREQUENCY RANGE	0 ~ 10 GHz
DIELECTRIC WITHSTANDING VOLTAGE	>750 V
CONTACT RESISTANCE	CENTER CONTACT
	OUTER CONTACT
INSULATION RESISTANCE	>1000 MΩ
INSERTION LOSS	<0.1x√F GHz
VSWR	<1.35
3RD INTERMODULATION	N/A

MECHANICAL CHARACTERISTICS	
FORCE TO ENGAGE AND DISENGAGE	N/A
CENTER CONTACT RETENTION FORCE	N/A
COUPLING PROOF TORQUE	N/A
COUPLING NUT RETENTION FORCE	N/A
DURABILITY	> 500 cycles

ENVIRONMENTAL PARAMETER	
TEMPERATURE RANGE	-65 °C~+165 °C

* CUSTOMER OUTLINE DRAWING		THIRD ANGLE PROJECTION 		
UNLESS OTHERWISE SPECIFIED: 1) EDGES : C0.15 MAX ; 2) REMOVE ALL BURRS ; 3) SURFACE ROUGHNESS : Ra1.6 ; 4) UNITS : mm ; 5) DIMENSIONS TOLERANCES DECIMALS : .x ±0.3 .xx ±0.2 .xxx±0.1; ANGLES : ± 5°.		APPROVED :	CUSTOMER P/N :	
		CHECKED :	SCALE : 1 : 1	
		DRAWING : HYH	DATE : 2020-06-29	
			PAGE : 1/1	
				TITLE : SMC FEMALE S/T FOR PCB THROUGH HOLE, 50Ω
				DRAWING NO. : 5AMF25S-P41
				COMPANY WEBSITE : www.slkcorp.com